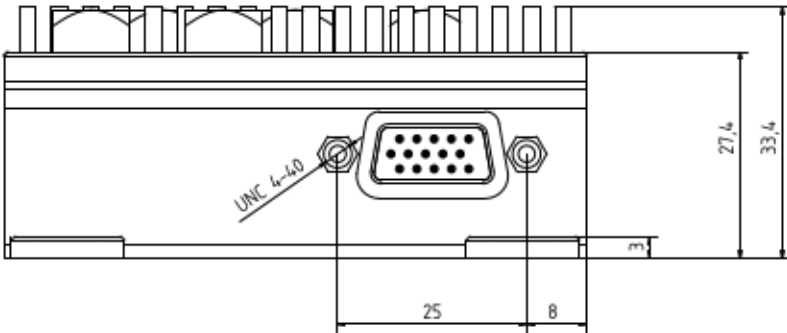
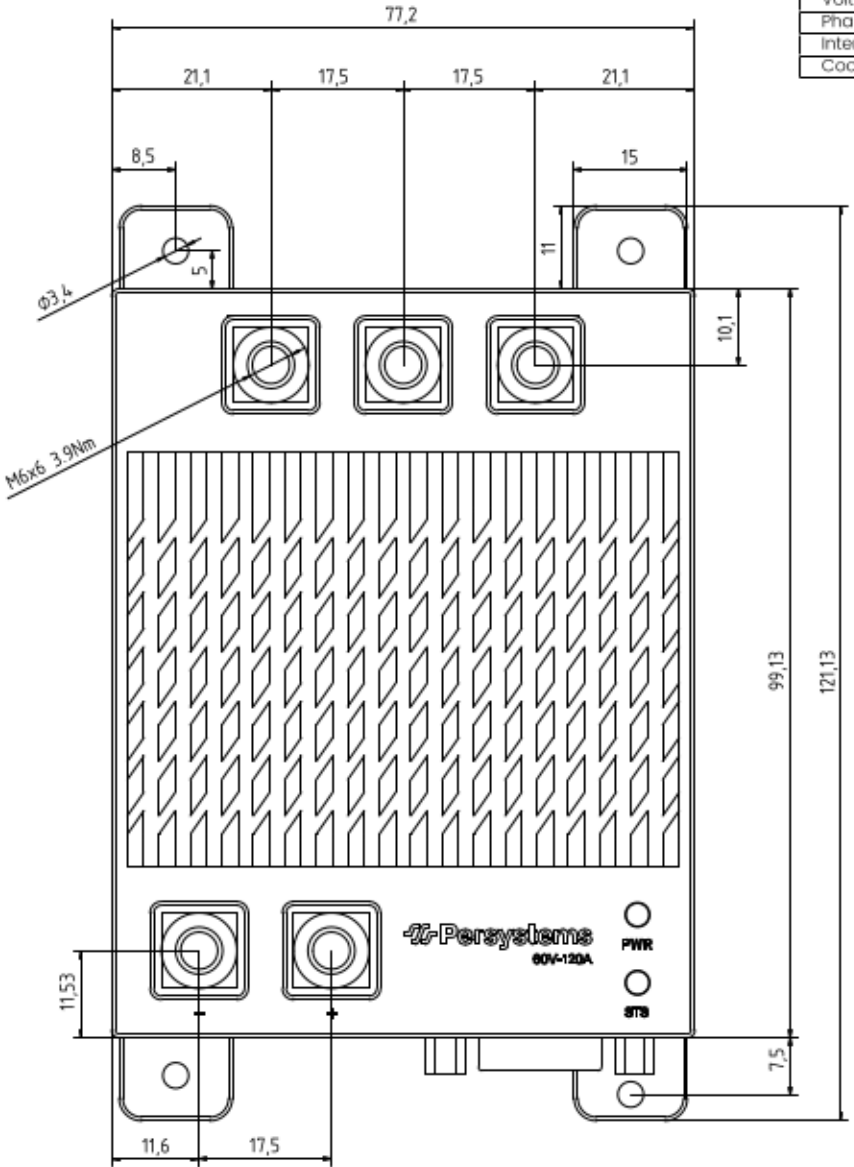
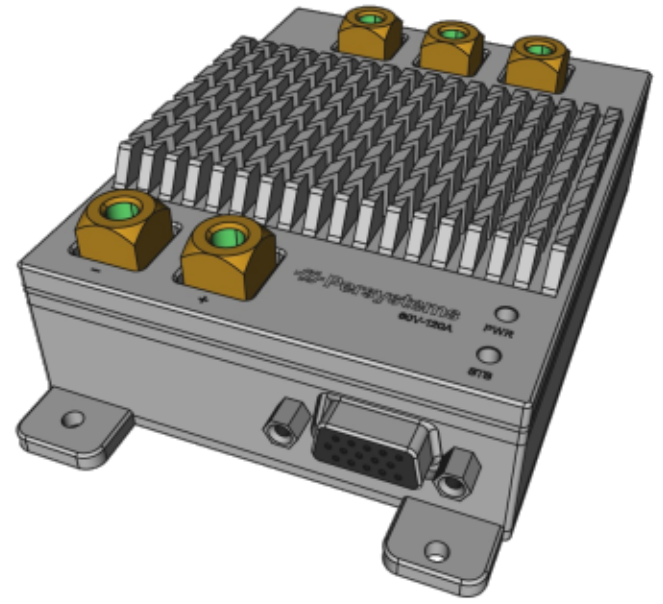



F E D C B A

Continuous Power	6kW
Voltage	16-60V
Phase Current continous	120A
Interfaces	CAN, Analog, PWM
Cooling	Air cooled



DESIGNED BY: Persystems GmbH		PRS-INV-3P-60V-120A		G	-
DATE: 16.02.2024				F	-
SIZE: A4				E	-
		<small>info@persystems.org</small>		D	-
SCALE: 1:1	WEIGHT (kg): 0.3	DRAWING NUMBER: 04	SHEET: 1/1	C	-
This drawing is our property; it can't be reproduced or communicated without our written consent.				B	-
				A	-

F E D

4
3
2
1

4
3
2
1